

ALUMERO

EN



**SUSTAINABLE
SOLAR
SOLUTIONS**

easyBRACKET
DATA SHEET

Your big plus

- + Easy mounting on trapezoidal sheet roofings made of aluminium or steel
- + Fastening without lifting up shavings
- + Pre-mounted EPDM rubber for additional sealing betw. roof and metal sheet
- + Module alignment horizontal
- + Light and durable thanks for aluminium

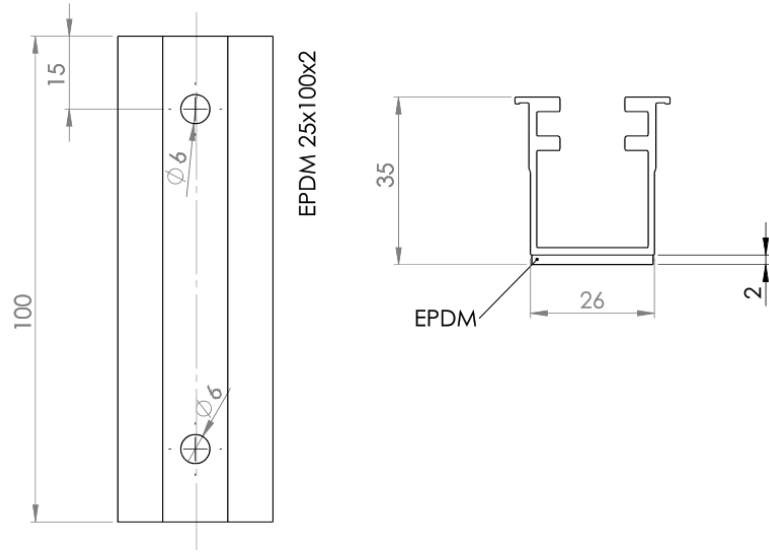
Technical data

Use	Trapezoidal sheet metal roof
Roof inclination	Max. 45°
Sheet thickness	Steel sheet min. 0.4 mm; aluminium sheet min. 0.5 mm
Raised bead	Minimum width 22 mm (25 mm is recommended)
Distance between crowns	Any
Fastening	2 pcs. drilling screws (direct connection into the trapezoidal sheet)
Module inclination	Parallel to the roof
Roof areas	All roof areas according to EN 1991-1-4
Modulae orientation	Horizontal
Modulabmessungen	Any
Modul field size	Max. 12 meters in module clamping direction
Snow/wind loads	Calculation according to DIN EN 1991-1-3:2010-12 resp. DIN EN 1991-1-4:2010-12 using ALUMERO Solar.Pro.Tool
Building height	≤ 25 m (higher on request)
On-site requirements	The static load-bearing capacity of the roof structure or the building must be ensured on site
Materials	Supporting components made of aluminium EN AW 6063T66; screws made of stainless steel A2-70; EPDM

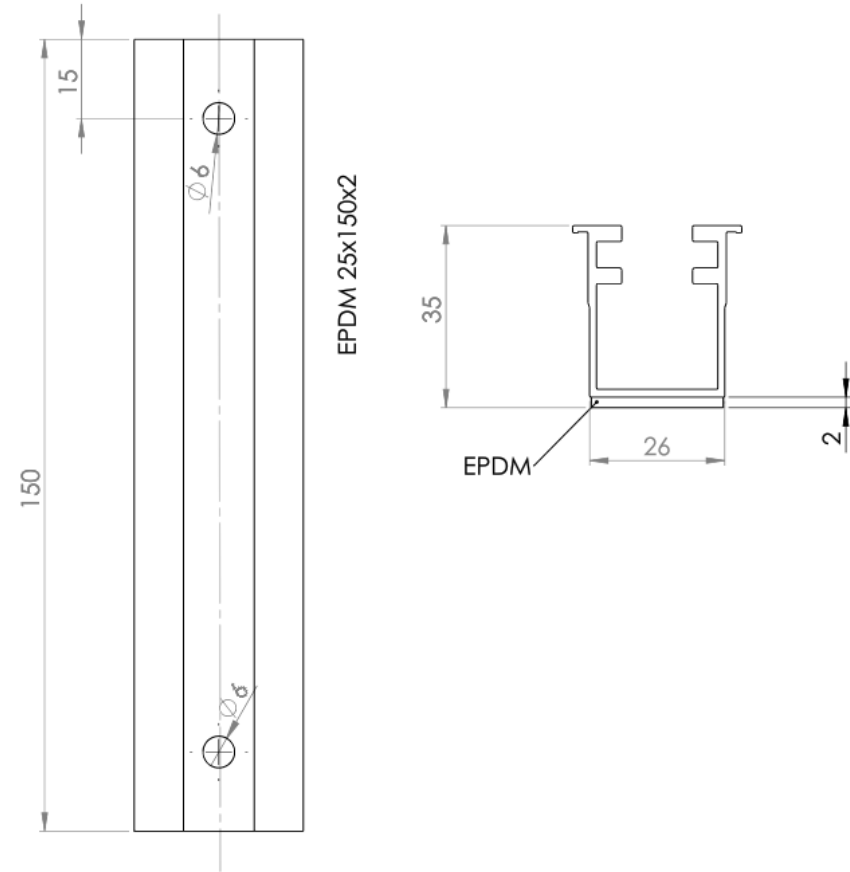


Technical drawings

Trapezoidal sheet short rail 2.1 T (L=100mm)



Trapezoidal sheet short rail 2.1 T (L=150mm)



ALUMERO Solar.Pro.Tool

Project planning in 8 steps

- 1 Master data
- 2 Roof data
- 3 Roof measurement
- 4 PV modules
- 5 Structure
- 6 CAD diagram
- 7 Structural design
- 8 Material list



We give our customers the possibility of creating technical, project-related system designs incl. static calculation and project reports using our online software **ALUMERO Solar.Pro.Tool**.

PROJECT PLANNING - ALWAYS & EVERYWHERE POSSIBLE

System components

You can find further articles in our product catalogue or on our website: www.alumerogroup.eu



Trapezoidal sheet short rail 2.1 T

L = 100 mm, inkl. Selbstbohrschrauben mit Dichtung / incl. screws and sealing

Trapezblech Kurzschiene 2.1 T

Produktnummer/Product No.: **802442**



Trapezoidal sheet short rail 2.1 T

L = 150 mm, inkl. Selbstbohrschrauben mit Dichtung / incl. screws and sealing

Trapezblech Kurzschiene 2.1 T

Produktnummer/Product No.: **802443**



End clamp Click

Abschlussklemme Click

Produktnummer/Product No.:

Blank/sheer: **802304C P1 30-42**

Schwarz/black: **802304C P1 30-42**



Middle clamp Click 2.1

Mittelklemme Click 2.1

Produktnummer/Product No.:

Blank/sheer: **802301C P1 30-45**

Schwarz/black: **802391C P1 30-45**